

MOUNTING PROCEDURE

KIT WINDSHIELD HONDA CB500-F

HCF5300

KIT

- X1. PLEXIGLASS
- X4. SPECIFIC BRACKET
- X4. SPECIAL WASHER
- X4. SCREW "ROUND HEAD" 5X12
- X2. SCREW "ROUND HEAD" 6X14
- X2. SCREW "ROUND HEAD" 6X20
- X2. SCREW "ROUND HEAD" 6X45
- X2. THICKNESS THREADED
- X2. THICKNESS
- X4. TEFLON WASHER Ø 5
- X8. RUBBER WASHER
- X2. WASHER Ø 6 "LARGE"

WWW.BARRACUDAMOTO.COM

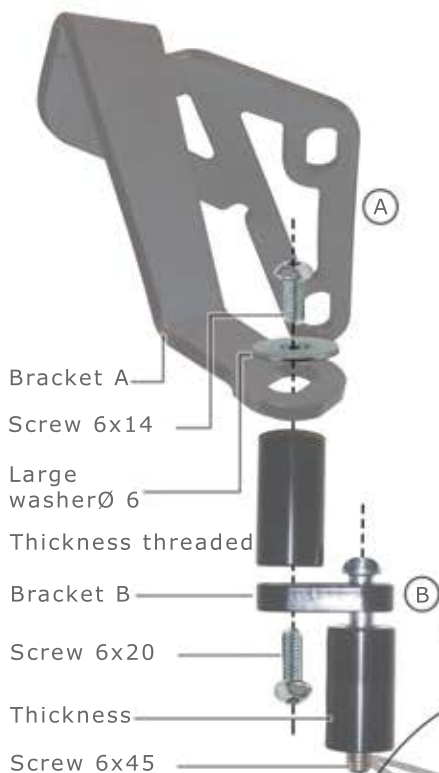
MOUNTING PROCEDURE:

PUT THE THREAD WITH THE "B" BRACKET AND LOCK INTO THE HIGHLIGHT POINT;

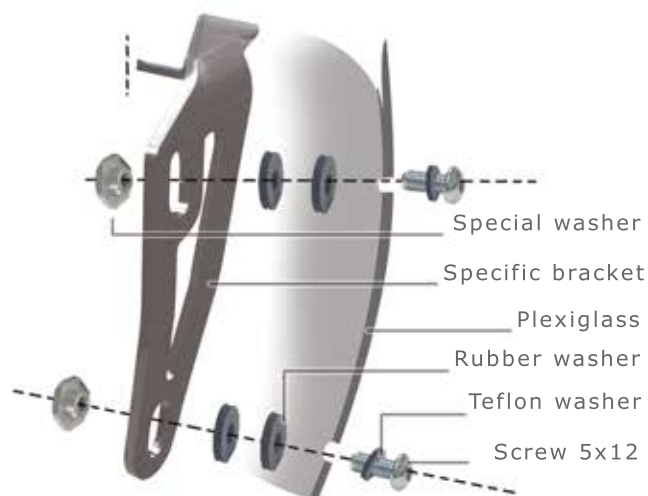
JOIN THE "A" BRACKET TO THE WINDSHIELD AND TO THE THICKNESS THREADED LIKE SHOWN IN THE PICTURE;

FIND THE RIGHT POSITION OF THE WINDSHIELD ON THE BRACKET AND LOCK ALL THE SCREWS LIKE THE PICTURE.

MOTORCYCLE FIXING



WINDSHIELD FIXING



NOTE: DON'T LOCK TOO MUCH TO AVOID POSSIBLE BROKEN OF PLEXIGLASS.