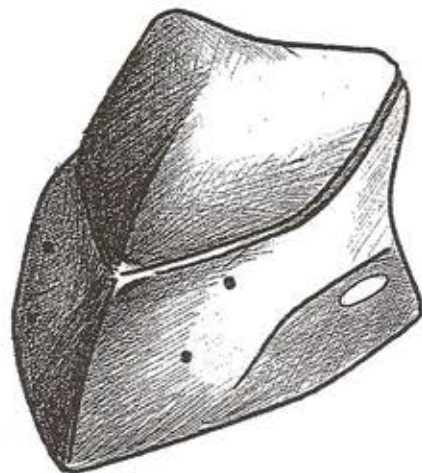
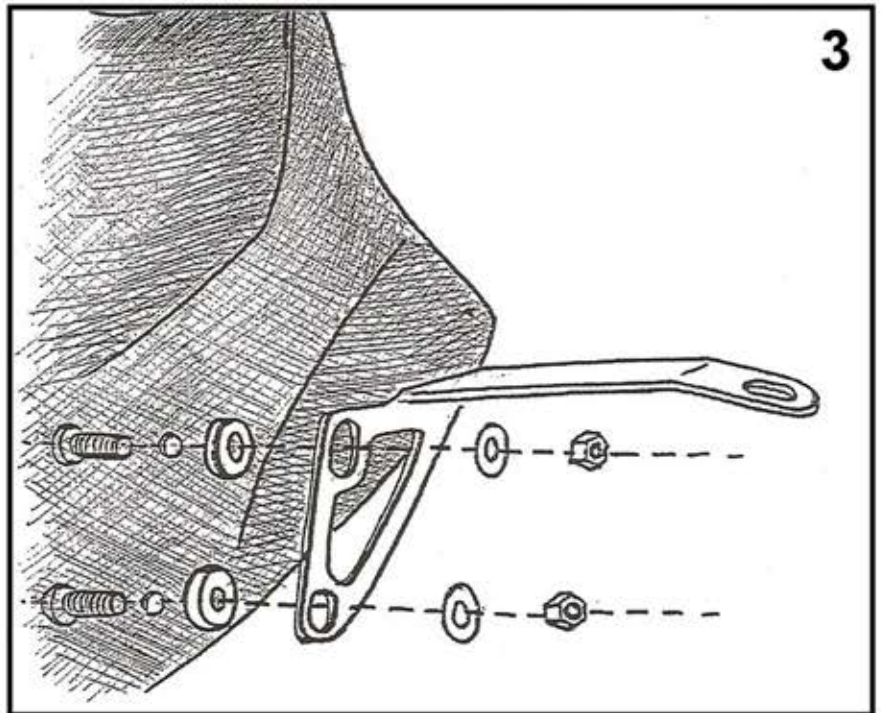
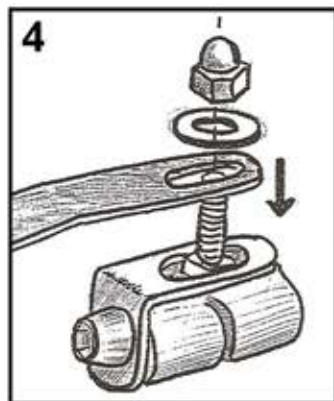
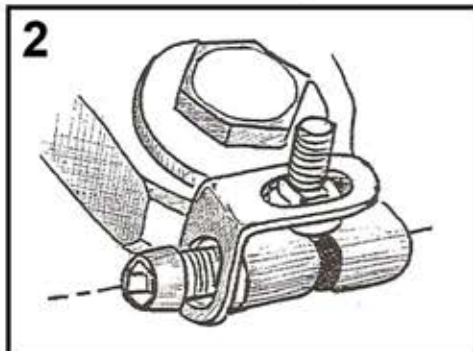
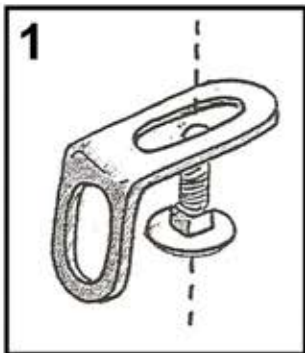


MOUNTING PROCEDURE**KIT WINDSHIELD
KAWASAKI Z-750 '03 - '06****KN7300****KIT**

X2. BRACKET (1 RIGHT SIDE + 1 LEFT SIDE)
X2. "L" STIRRUP
X4. "ROUND HEAD" SCREW 5X16
X4. AUTOLOCK NUT Ø 5
X4. LARGE WASHER Ø 5
X4. TEFLON WASHER Ø 5
X4. RUBBER WASHER
X4. SQUARE STICKER RUBBER
X2. SQUARE SHAPE SCREW Ø 6
X2. BLIND NUT Ø 6
X2. LARGE WASHER Ø 6

WWW.BARRACUDAMOTO.COM

INSERT TWO ROUND HEAD AUTOLOCK SCREWS INTO THE "L" STIRRUP. (PICTURE 1) PUT THE BRACKET ON THE TERMINAL PART USING THE ORIGINAL SCREWS FIXING GOOD (PICTURE 2). INSERT FOUR 5X16 SCREWS INTO THE WINDSHIELD/SCREEN HOLES FROM THE OUT SIDE; INTO THE INSIDE INSERT THE RUBBER THICKNESS BEFORE AND THAN THE CORRISPETTIVE BRACKET, AFTER THAT PUT THE METAL WASHER AND AT THE END THE AUTOLOCK NUT (PICTURE 3). POSITION THE FOUR RUBBER STICKERS ON THE MOTORBIKE TO AVOID CONTACTS BETWEEN THE NUTS AND THE WINDSHIELD/SCREEN. PUT THE "L" STIRRUP PREVIOUSLY MOUNTED, INSERT THE METAL WASHER AND AT THE END FIX ALL WITH THE TWO BLIND NUTS (PICTURE 4).

NOTE: MAKE SURE THAT THE WIDNSHIELD/SCREEN BEIGN FIX TO THE MOTORBIKE WELL.