

## MOUNTING PROCEDURE

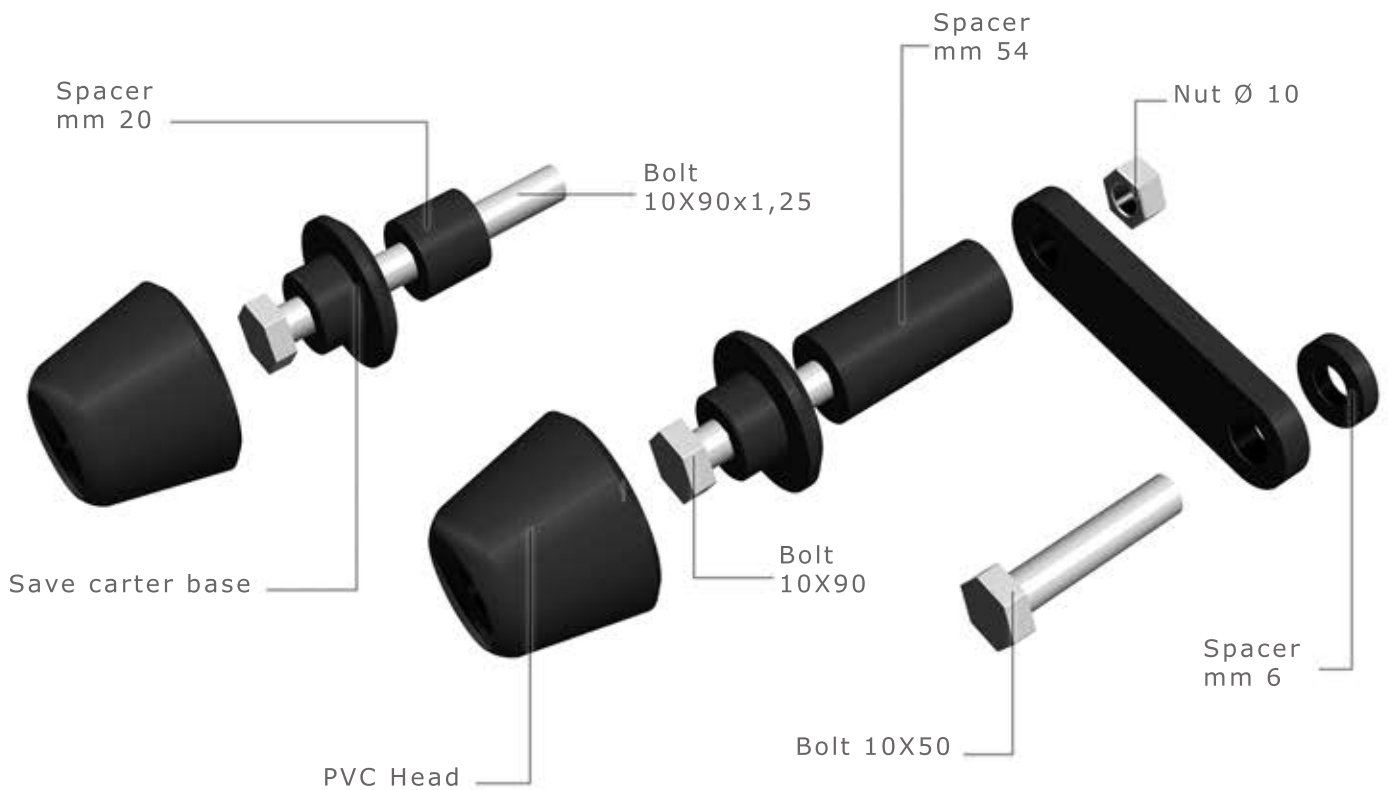
KIT SAVE CARTER  
SUZUKI GSX-R 600/750 '06 - '07

**SP6101/06**

WWW.BARRACUDAMOTO.COM

## KIT

- X2. PVC HEAD
- X2. SAVE CARTER BASE
- X1. SPACER 20 MM
- X1. SPACER 6MM
- X1. SPACER 54 MM
- X1. BRACKET
- X1. BOLT 10X90
- X1. BOLT 10X50
- X1. BOLT 10X90
- X1. NUT DIAMETER 10



## FIXING POINT ON MOTORBIKE



BEFORE THE MOUNTING PROCESS VERIFY THE TWO DIFFERENT LENGHTS TO HAVE THE RIGHT DISTANCE OF SAVE CARTER FROM THE MOTORBIKE.  
MOUNT PVC HEAD OF SAVE CARTER ONLY AFTER THE MOUNTING AND THE FIXING