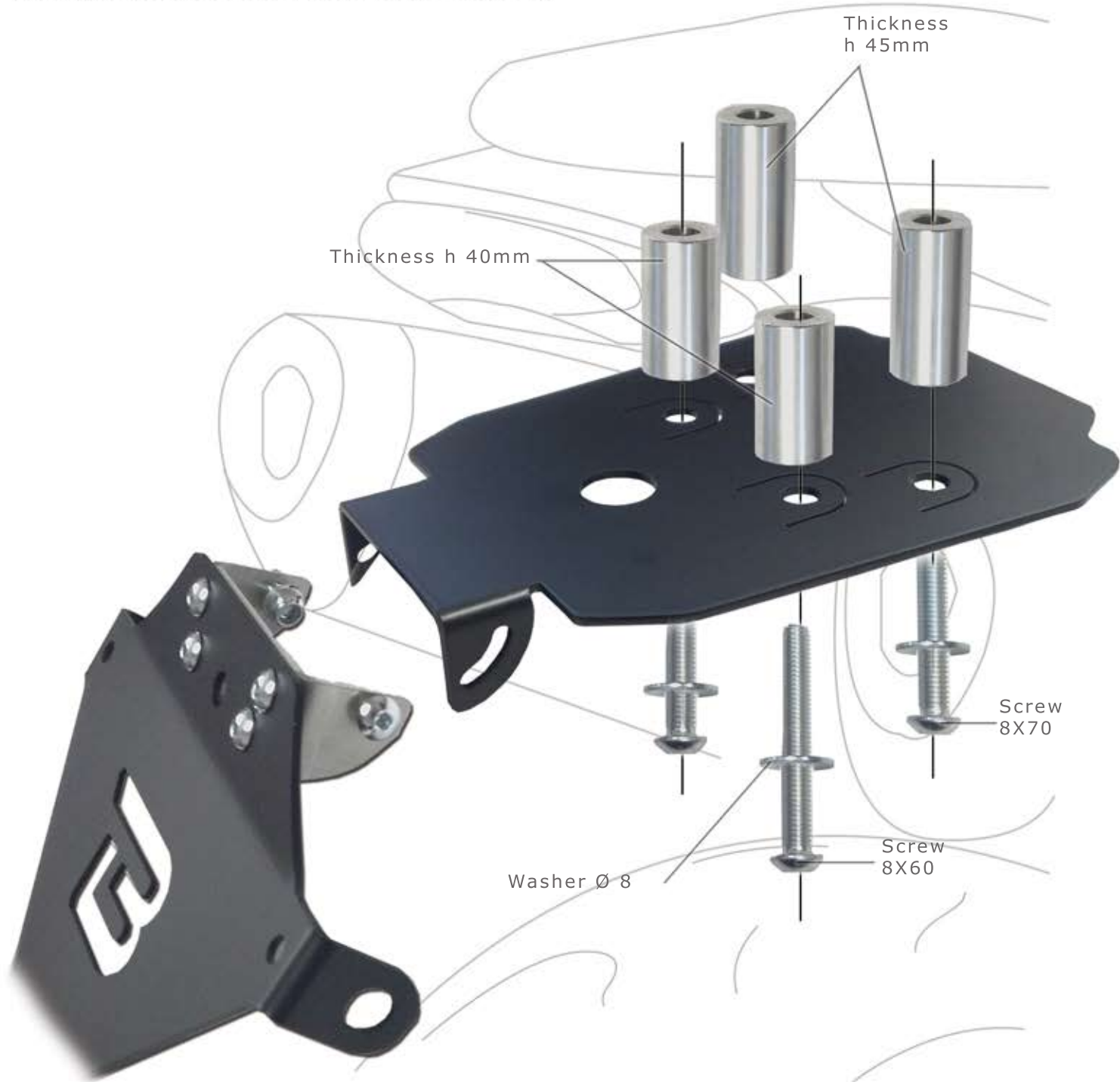


**MOUNTING PROCEDURE****KIT LICENCE PLATE  
TRIUMPH SPEED TRIPLE 2011****TS9104-11**[WWW.BARRACUDAMOTO.COM](http://WWW.BARRACUDAMOTO.COM)**KIT**

- X1. LICENCE PLATE ATTACK
- X2. THICKNESS HIGH 45MM
- X2. THICKNESS HIGH 40 MM
- X2. SCREW 8X70
- X2. SCREW 8X60
- X4. WASHER DIAMETER 8
- X1. "X" LICENCE PLATE



REMOVE THE ORIGINAL LICENCE PLATE FROM MOTORBIKE. APPLY THE BARRACUDA SPECIFIC LICENCE PLATE ATTACK USING THE SCREWS AND THICKNESS INCLUDED LIKE SHOWN IN THE PICTURE. APPROACH AND FIX THE "X" LICENCE PLATE TO THE BRACKET INSTALLED.

WE ADVISE AN INCLINATION NOT EXCEEDING TO 30° TO AVOID SANCTIONS AND POSSIBLE DAMAGES.